



Outdoor Shade Solutions

HORIZON

The Horizon Awning by Franciافlex is New Zealand's premier folding arm system, providing complete protection from the elements. Horizon awnings are custom made using high quality components with European technology and styling. Your Horizon awning can be covered using Docril 100% solution dyed acrylic canvas in 138 colours or Shadeview sunscreen mesh for light shading.



**5 YEAR
MANUFACTURERS
WARRANTY**


FRANCIAFLEX
PERFORMANCE FOLDING ARM AWNINGS



HORIZON

MONOBLOC

An elegant monobloc awning, engineered using European technology and styling with high quality Aluminium and Stainless steel components. Suited for commercial and domestic applications and easily face or soffit mounted. Horizon is simple, robust and looks great!

EASY, FUNCTIONAL LIVING

The Horizon Awning provides complete protection from the elements, extending your indoor living into the outdoors, year round. Easily operated by gearbox with handle or automated with the press of a button. When automated, a wind or motion sensor can be added to retract the awning in windy conditions. An aluminium hood can also be added for a streamlined look and gives long lasting fabric protection.

LONG LASTING DESIGN

Horizon awnings come with an attractive 5 year warranty and have been tested in winds up to 90km/h with no visible damage.

PRACTICALITY

Folding arm awnings are perfect for overhead sun protection, minimising harmful UV rays and maximising heat reduction.



FRAME COLOURS

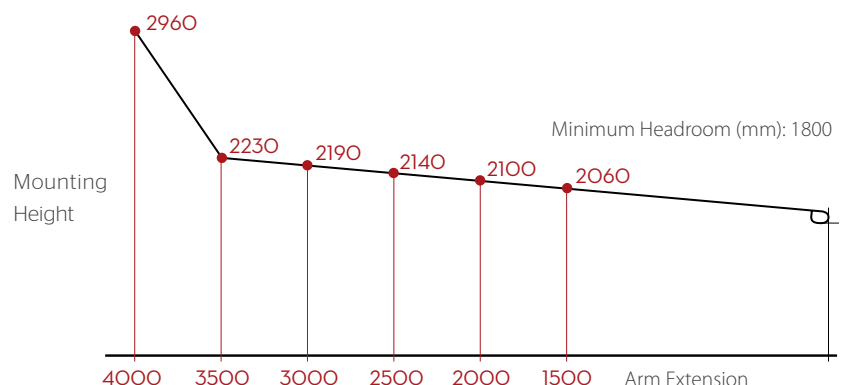
Warm White Pearl

Silver Pearl

MINIMUM WIDTH v's PROJECTION

| Projection (mm) | Awning Width: 2 ARMS | |
|-----------------|----------------------|-------|
| | Gearbox | Motor |
| 1500 | 1948 | 1888 |
| 2000 | 2440 | 2380 |
| 2500 | 2972 | 2912 |
| 3000 | 3464 | 3404 |
| 3500 | 4114 | 4054 |
| 4000 | 4694 | 4634 |

INSTALLATION HEIGHT REQUIREMENTS





HORIZON

FETUNA CASSETTE

The Fetuna Cassette awning is architecturally inspired to allow a streamlined look when retracted. Designed in France and custom manufactured in New Zealand to withstand the harshest of environments. Cassette awnings are great if you require maximum protection and modern design with little maintenance. Made from the same quality components as the Horizon awning, the Fetuna is built to last!

UNBEATABLE QUALITY

Fetuna Cassette awnings are manufactured from high quality aluminium & Stainless steel components and are backed by a 5 year warranty for peace of mind.

COMPLETE PROTECTION

The fabric skin and mechanisms are completely protected when retracted, meaning a longer life and greater functionality.



FRAME COLOURS

Warm White Pearl

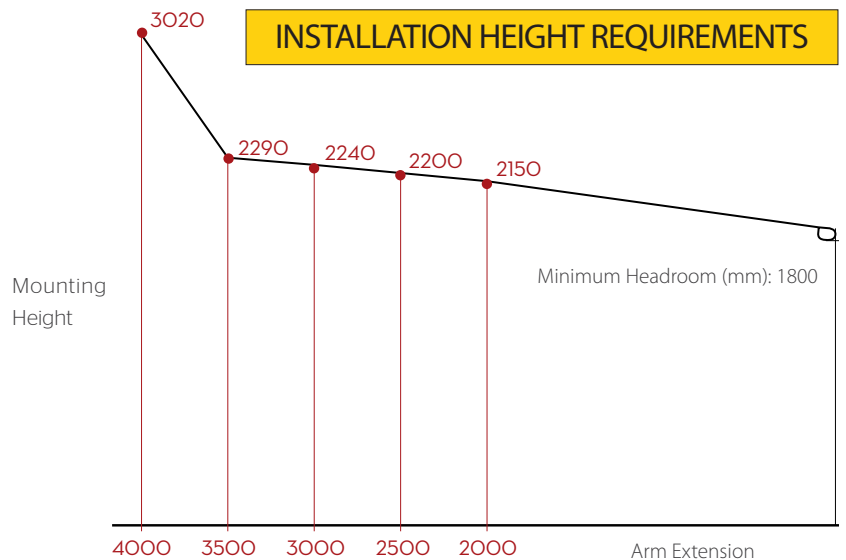
Charcoal



MINIMUM WIDTH v's PROJECTION

| Projection (mm) | Awning Width: 2 ARMS | |
|-----------------|----------------------|-------|
| | Gearbox | Motor |
| 2000 | 2526 | 2493 |
| 2500 | 3056 | 3023 |
| 3000 | 3548 | 3515 |
| 3500 | 4188 | 4155 |
| 4000 | 4768 | 4735 |

INSTALLATION HEIGHT REQUIREMENTS



FEATURES

MONOBLOC & FETUNA

Franciaflex utilises 50 years' experience with a blend of engineering, quality and innovation to produce the world's leading awning systems.

Using the latest industry leading technology and strict specifications and a manufacturing department that controls the process from start to finish you can be sure Franciaflex awnings are built to last!

OPERATION

- Manual Crank Operation
- Automated

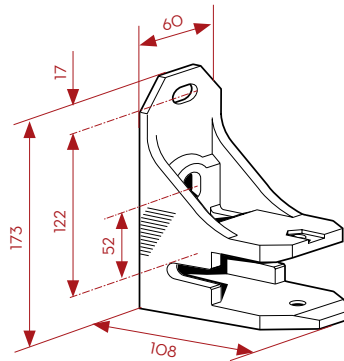
FABRIC

- Acrylic Canvas - Docril
- Shadeview Mesh

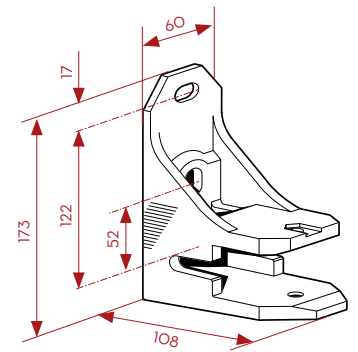
AUTOMATION OPTIONS

- Sun & Wind Sensor
- Motion Sensor

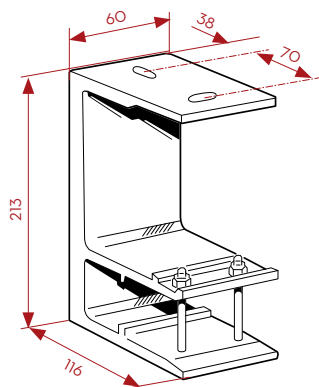
Horizon Facefix Bracket (mm)



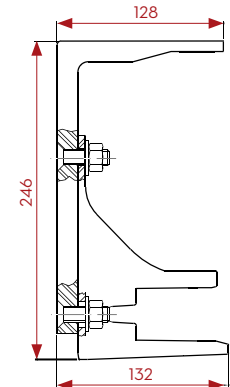
Fetuna Facefix Bracket (mm)



Horizon Soffit Bracket (mm)



Fetuna Soffit Bracket (mm)



AWNING AUTOMATION



Navigator Series Remotes available with 1, 4, 8 or 16 channels



Wall Mounted Remote



Motion Sensor



Wind & Sun Sensor

Operate your awning or blind at the touch of a button. Ideal for hard to reach windows or if you find a winder handle difficult. A discreetly hidden in-tube motor makes operation a breeze.

REMOTE CONTROL

These use the latest RF technology which does not require "line of sight." Up to 16 awnings and blinds can be operated individually or in unison by a single remote. Integration to a building management system (BMS) is also achievable.

PROTECTION

Wind and Sun or Motion Sensors can be added to protect your investment, these are designed to retract your awning or blind when high winds arise to keep them free from damage.



Outdoor Shade Solutions

We've Got You Covered!

9 McClintock Street, Pirongia

(07) 872 8007 (027) 206 6366

sales@brucesupholstery.co.nz | www.brucesupholstery.co.nz